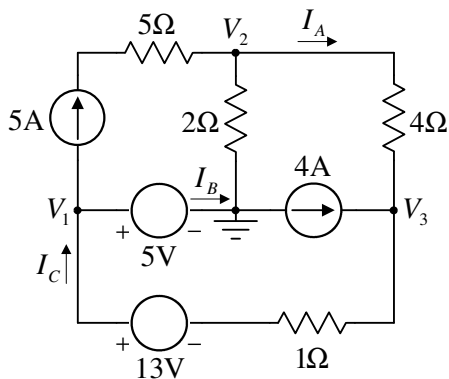


Osnovi elektronike SI

Rešenja zadatka – ispit 12.06.2011.

I deo - 2. zadatak

a)



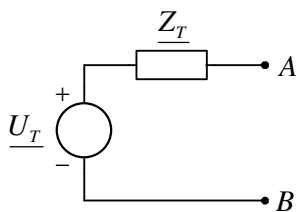
$$V_1 = 5\text{V}; V_2 = 6\text{V}; V_3 = -2\text{V}; I_A = 2\text{A}; I_B = 1\text{A}; I_C = 6\text{A}.$$

b) $P_{5\text{V}} = -5\text{W}; P_{13\text{V}} = 78\text{W}; P_{4\text{A}} = -8\text{W}; P_{5\text{A}} = 130\text{W}$

II deo - 2. zadatak

a) $\underline{Z}_T = \frac{1+j3}{5}\Omega$

$$\underline{U}_T = \frac{j+2}{5}\text{V}$$



b) $\underline{S} = \frac{1}{13}; P = \frac{1}{13}\text{W}; Q = 0\text{VAr}.$

III deo - 2. zadatak

$$v_I = \frac{v_G}{3} + \frac{V_{CC}}{2}$$